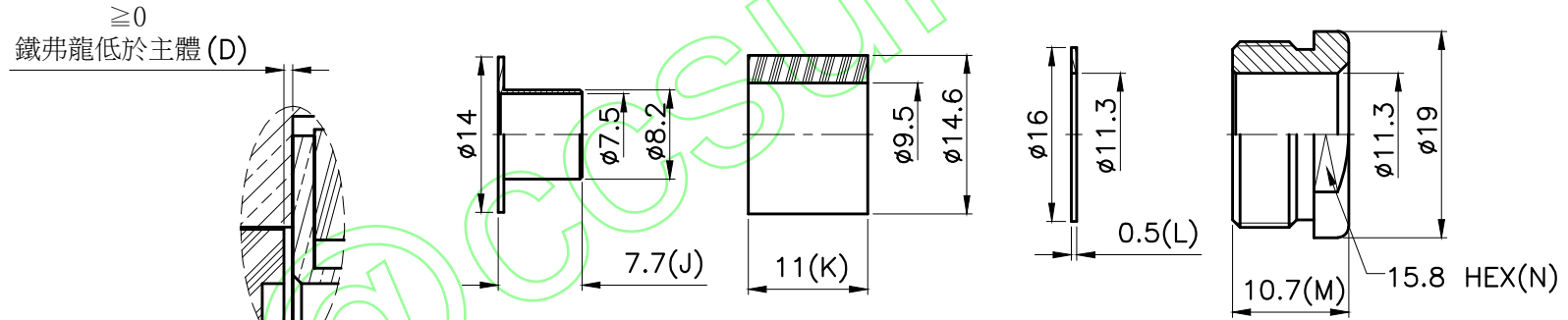
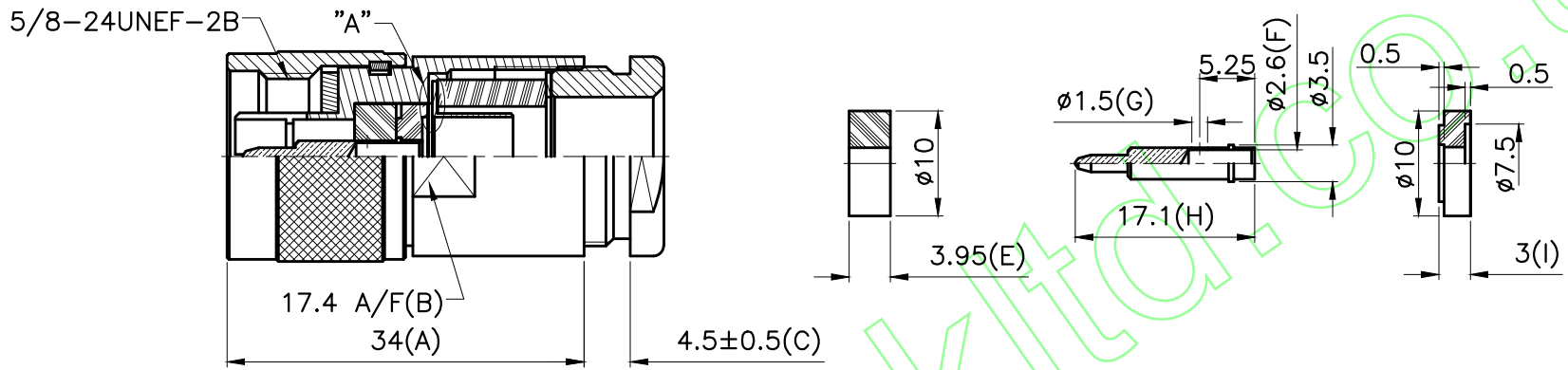


REVISIONS		
ISS	DESCRIPTION	DATE

RoHS COMPLIANT



TITLE: N MALE CLAMP
(FOR RG214, RG213)

APRD:	UNLESS OTHERWISE SPECIFIED TOLERANCES 0.5-6 = ±0.2 >6-30 = ±0.4 >30-120 = ±0.6 >120-315 = ±1 >315-1000 = ±1.6 ANGLES = ±5°
CHKD:	
DR:	

PART NO: NPSC214SS 030

DATE: 03/21/12" UNIT: mm
SHEET: . SCALE: 1.5/1

NUT	BRASS	SILVER
WASHER	BRASS	SILVER
GASKET	SILICONE	WHITE
TOP HAT	BRASS	SILVER
INSULATOR	TEFLON	WHITE
CONTACT PIN	BRASS	SILVER
INSULATOR	TEFLON	WHITE
BODY	BRASS	SILVER
RING	BRASS	NONE
GASKET	SILICONE	WHITE
SHELL	BRASS	SILVER
NO. DESCRIPTION	MATERIAL	FINISH